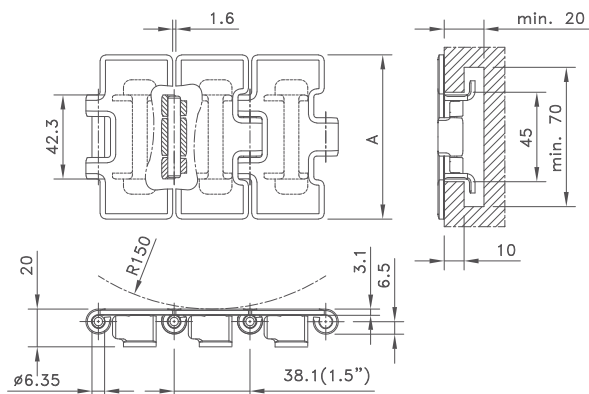


## Single Run Single Hinge Tab Max-Line



Chain Type	Code Number	Plate Width		Weight	Surface Flatness (max.)	Polished Hinge Eyes	Working Load (max.)
		A					
		mm	inch	kg/m	mm		N
<b>Opti-Plus</b>							
SSC 812 TAB-K325	10.124.21.11	82.5	3.25	3.14	0.18	no	6000
SSC 812 TAB-K450	10.124.21.14	114.3	4.50	3.88	0.25	no	
SSC 812 TAB-K750	10.124.21.16	190.5	7.50	5.67	0.60	no	
<b>Carbon Steel</b>							
S 815 TAB-K325	763.93.31	82.5	3.25	3.14	0.40	no	8350
S 815 TAB-K450	763.93.42	114.3	4.50	3.88	0.60	no	
S 815 TAB-K750	763.93.72	190.5	7.50	5.67	0.90	no	
<b>Austenitic Chrome Nickel</b>							
SS 815 TAB-K325	763.33.31	82.5	3.25	3.14	0.18	no	3500
SS 815 TAB-K450	763.33.42	114.3	4.50	3.88	0.25	no	
SS 815 TAB-K750	763.33.72	190.5	7.50	5.67	0.60	no	

Standard length: 3.048 m - 10 feet (80 links)

